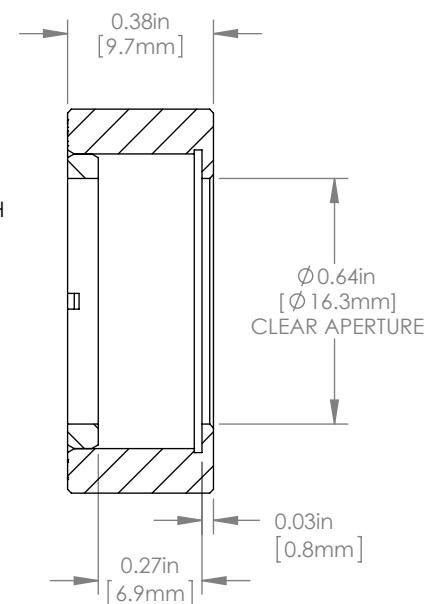


M19.5 X 0.5 INTERNAL THREAD
 0.35in [8.9mm] DEEP
 (1) SM19RR RETAINING RING INCLUDED
 ϕ 0.64in [ϕ 16.3mm] CLEAR APERTURE



SECTION A-A

FOR INFORMATION ONLY
 NOT FOR MANUFACTURING PURPOSES

DRAWING PROJECTION



THORLABS
 www.thorlabs.com

	NAME	DATE
DRAWN	HP	08 MAR 11
APPROVAL	TC	08 MAR 11

ADAPTER FOR ϕ 19mm OPTICS

MATERIAL
 ANODIZED ALUMINUM

REV B

COPYRIGHT © 2015 BY THORLABS
 VALUES IN PARENTHESIS ARE CALCULATED
 AND MAY CONTAIN ROUND OFF ERRORS

ITEM #
 AD19T

APPROX WEIGHT
 0.01 kg